

Technical Data Sheet G Series

Basic Info

| KSF G 66x650-1xM8 | KSF G 66x550-1xM8 |
|---------------------|-------------------|
| Nominal length (mm) | |
| 650 | 550 |
| Tube diameter (mm) | |
| 66 | 66 |
| Weight (kg) | |
| 1.80 | 1.60 |
| Item number | |
| 20065 | 20055 |



KSF G 66x650-1xM8

Construction

- Continuous welded helix
- Coating: Hot-dip galvanized according to DIN EN ISO 1461
- Patented conical body forged from a single piece

Applications



Accessories



Special Granulate 500 g
Item No. 21823



Reduction Sleeve Set-G66
0.10 kg
Item No. 21806



Pivot Linkage Cover-G66
0.30 kg
Item No. 21804



Twisting Element-G 66
0.10 kg
Item No. 21839



Screwing Bar short
0.60 kg
Item No. 20070



Foundation Cap-G 66
0.20 kg
Item No. 21805



Cover Plate-G 66
0.10 kg
Item No. 21856

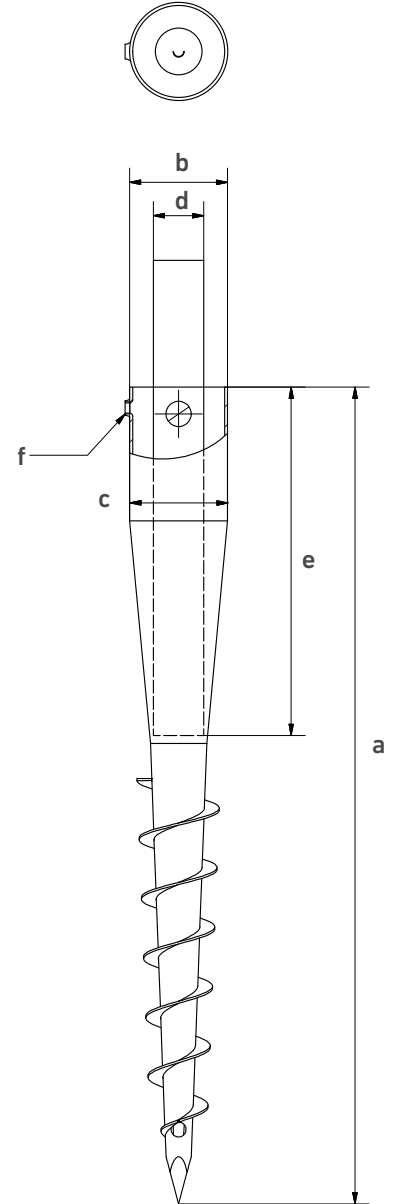
Subject to technical change!

Krinner Schraubfundamente GmbH | Passauer Straße 55 | D-94342 Straßkirchen
Phone: +49 9424 9401-80 | E-Mail: service@krinner.com | www.krinner.com

efficient · no concrete · durable

Technical Data

| | KSF G 66x650-1xM8 | KSF G 66x550-1xM8 |
|---|--------------------------------------|--------------------------------------|
| a | Length (mm) (± 20 mm) | |
| | 650 | 550 |
| b | Shaft outer diameter (mm) | |
| | 66 | 66 |
| c | Inner diameter (mm) | |
| | 62 | 62 |
| d | Diameter setting (mm) | |
| | 62 55.5 50 43 38.5 34 | 62 55.5 50 43 38.5 34 |
| e | Depth setting (mm) (± 20 mm) | |
| | 210 228 245 276 317 395 | 110 128 145 176 217 295 |
| f | Thread | |
| | 1 x M8 | 1 x M8 |



Online Service

| KSF G 66x650-1xM8 | KSF G 66x550-1xM8 |
|-------------------|-------------------|
|-------------------|-------------------|

Webkey

G2006511D

G2005511D



Subject to technical change!

Krinner Schraubfundamente GmbH | Passauer Straße 55 | D-94342 Straßkirchen
Phone: +49 9424 9401-80 | E-Mail: service@krinner.com | www.krinner.com